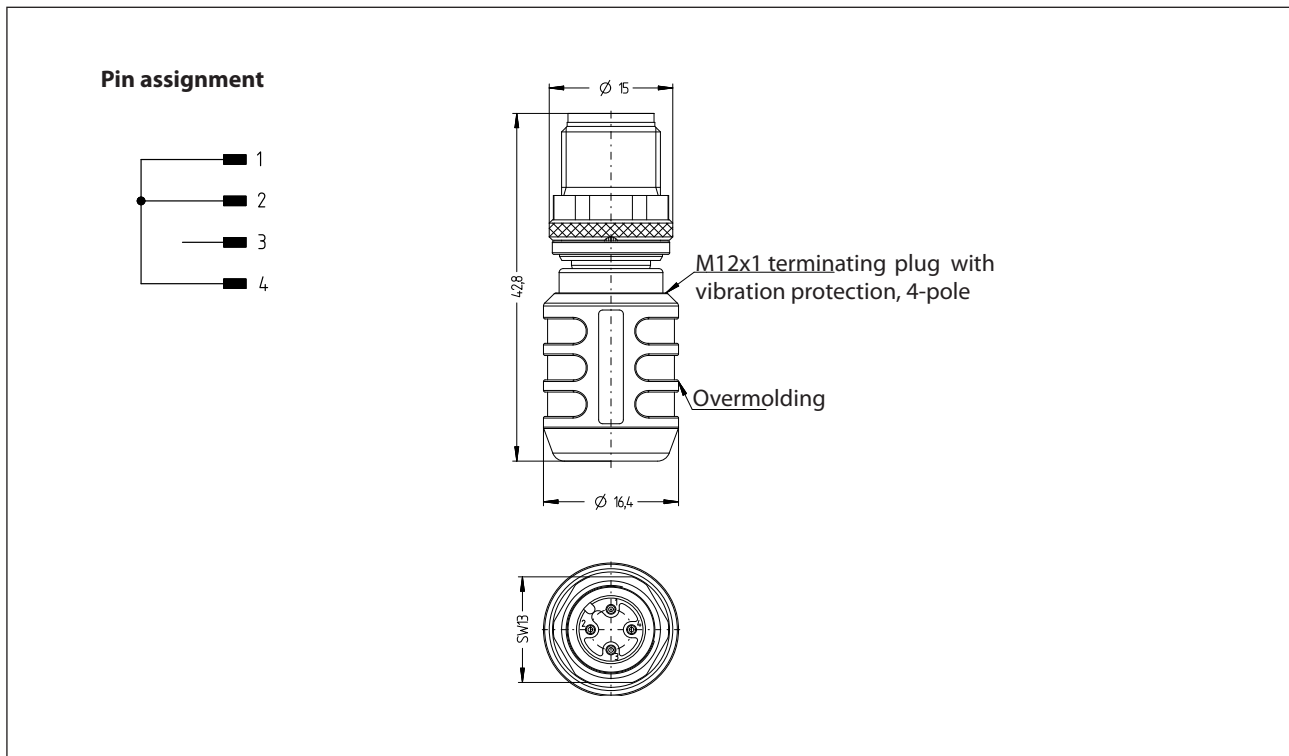


## Accessories

### Terminating plug

Description **AEP-M12/4**

Article number **6075689084**



#### Electrical Data

Operating voltage	max. 250 V
Current rating	4 A at 40 °C
Insulation resistancw	≥100 MΩ

#### Mechanical Data

Connection	M12x1, 4-pole (A-Coded)
Overmolding	TPU
Ambient temperature	-30 °C ... +90 °C
Degree of pollution	3
Type of protection	IP68 (only in fully snapped-in position with it's plugs)